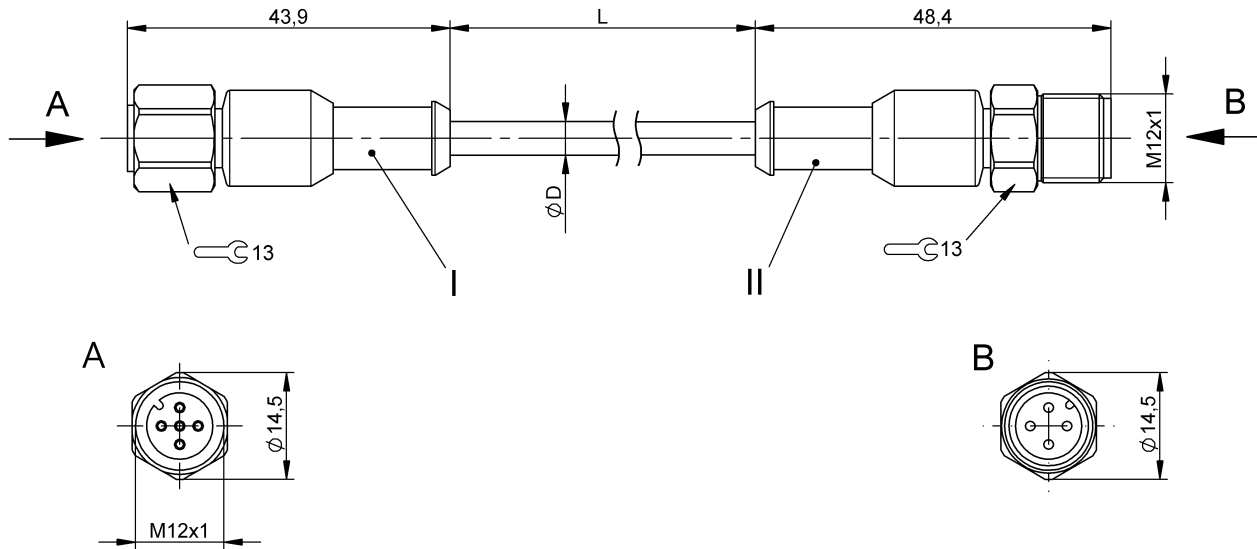


Double-Ended Cordsets  
**BCC S4B5-S4B4-3A-304-YX8434-100-C009**  
**Order Code: BCC0JT1**

**BALLUFF**



**Basic features**

Approval/Conformity	CE Ecolab WEEE
---------------------	----------------------

**Electrical connection**

Bending radius min., fixed cable	5 x D
Bending radius min., flexible cable	10 x D
Cable	TPE-V gray, 10 m
Cable diameter D	4.70 mm ±0.2 mm
Conductor cross-section	0.34 mm <sup>2</sup>
Connection 1	M12x1-Female, straight, 5-pin, A-coded
Connection 2	M12x1-Male, straight, 4-pin, A-coded
Number of conductors	4
System	Molded/Molded

**Electrical data**

Cable rated voltage AC max.	300 V
Cable rated voltage DC max.	300 V
Operating voltage U <sub>b</sub>	250 VDC / 250 VAC
Rated current (40 °C)	4.0 A

**Remarks**

Halogen-free per DIN VDE 0472 Part 815  
 Halogen-free acc. to IEC 60754-1  
 LABS-free  
 Enclosure rating per IEC 60529 or 20653, only in screwed state with the associated mating piece.

**Environmental conditions**

Cable temperature, fixed routing	-50...105 °C
Cable temperature, flexible routing	-25...105 °C
IP rating	IP67, IP69K/IP67, IP69K

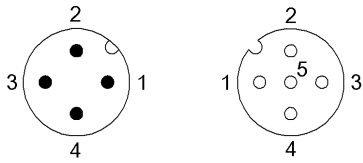
**Material**

Cable jacket, material	TPE-V
Material contact carrier	PP/PP
Material contacts	Bronze/Brass
Material cover nut	1.4404 stainless steel/1.4404 stainless steel
Material grip	PP/PP

**Mechanical data**

Cable jacket, color	gray
Cable length L	10.00 m
Tightening torque pigtail	0.6 Nm/0.6 Nm

## Connector Drawings



- |              |                 |
|--------------|-----------------|
| II           | I               |
| PIN 1: brown | PIN 1: brown    |
| PIN 2: white | PIN 2: white    |
| PIN 3: blue  | PIN 3: blue     |
| PIN 4: black | PIN 4: black    |
|              | PIN 5: not used |

## Wiring Diagrams

